

Intake Manifold Cover Kit Installation (Instruction ID: 12697372)

Installation Instructions Part Number

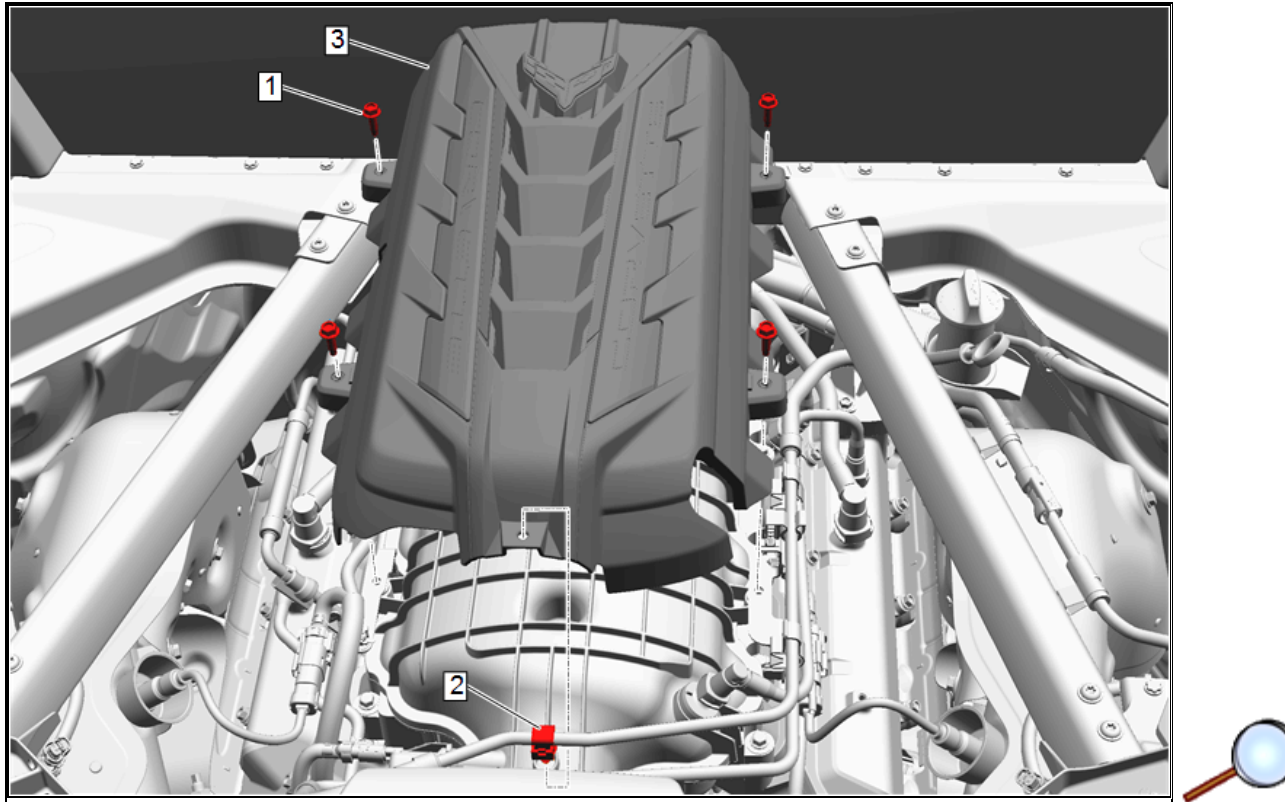
12697372

Kit Contents

Description	Quantity
Intake Manifold Cover	1
Instruction Sheet	1

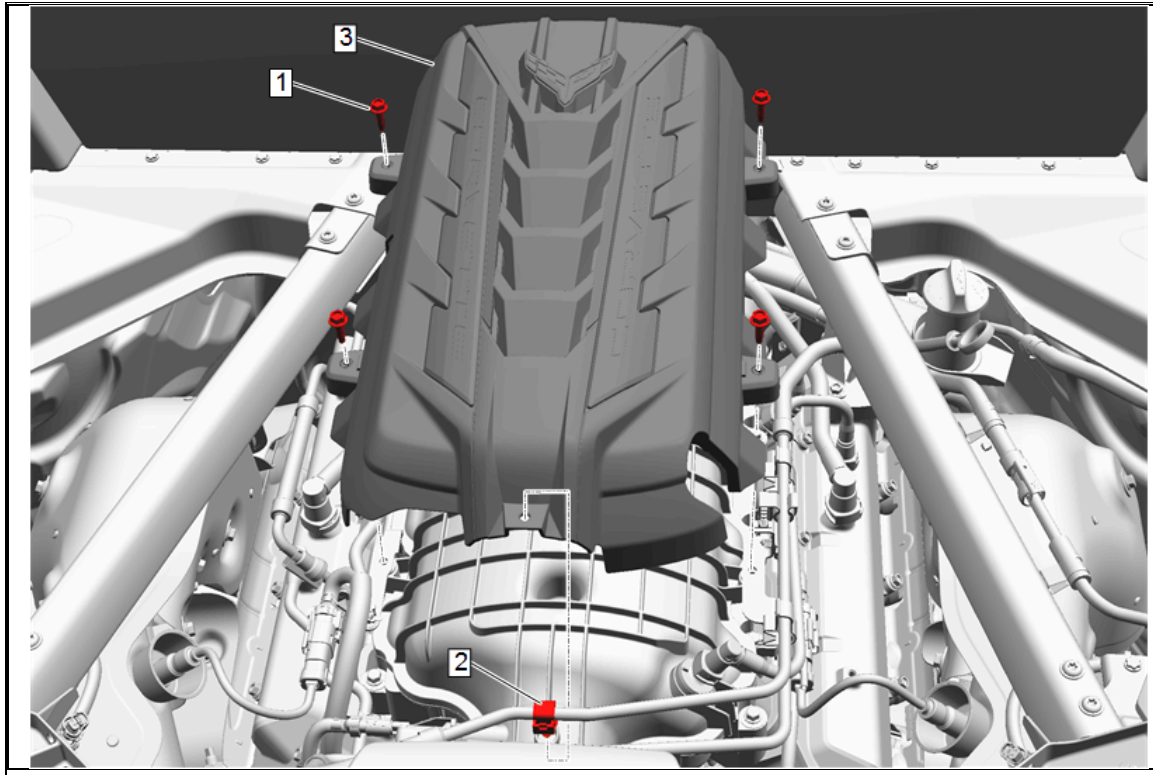
Procedure

Remove Production Intake Manifold Cover



1. Remove the intake manifold cover bolts (1) Qty: 4.
2. Disconnect the clip (2) holding the evaporative emission canister purge pipe.
3. Pull the intake manifold cover (3) to remove.

Install Intake Manifold Cover



1. Position the intake manifold cover (3) to the intake.
2. Connect the clip (2) holding the evaporative emission canister purge pipe.

Caution: Use the correct fastener in the correct location. Replacement fasteners must be the correct part number for that application. Fasteners requiring replacement or fasteners requiring the use of thread locking compound or sealant are identified in the service procedure. Do not use paints, lubricants, or corrosion inhibitors on fasteners or fastener joint surfaces unless specified. These coatings affect fastener torque and joint clamping force and may damage the fastener. Use the correct tightening sequence and specifications when installing fasteners in order to avoid damage to parts and systems.

3. Install the intake manifold cover bolts (1) Qty: 4. Tighten intake manifold cover bolts to 9 N.m (80 lb in).